



SUNDA HARDWARE

Stable Forever



Zhaoqing Sunda Hardware Co., Ltd is an accredited manufacturer of high-end hardware accessories for doors and glass, established in 1992 and located in Zhaoqing City, where is one of the hardware manufacturing bases in South China.

Adhering to the brand value of "Sunda Hardware, Stable Forever", we have always focused on providing stable and high-quality products to our customers.

Application: suitable for wooden doors, flush doors, security doors, invisible doors, etc



Folding wooden door



Flush wooden doors



Invisible doors



Aluminum alloy ecological doors

Product Features:



Hidden 3D adjustable



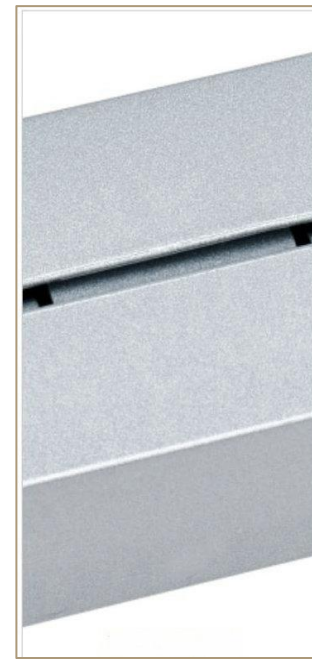
High load-bearing
aluminum connectors



Imported soluble
rubber pad



Ultra-thin thickness
design



Small door seam
protection finger



Installation regardless
of left or right

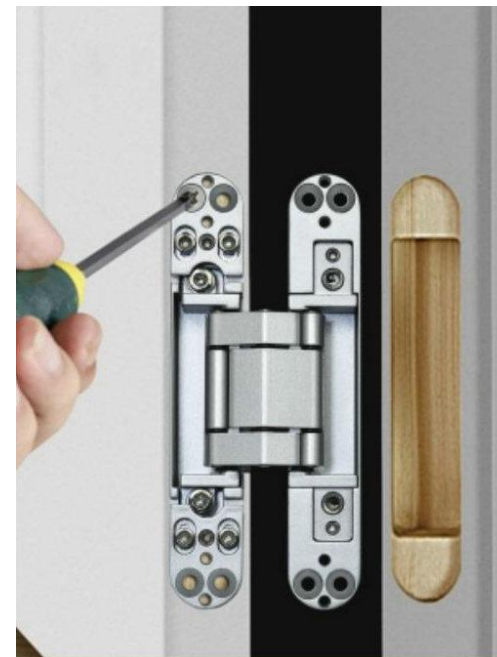
Installation method:



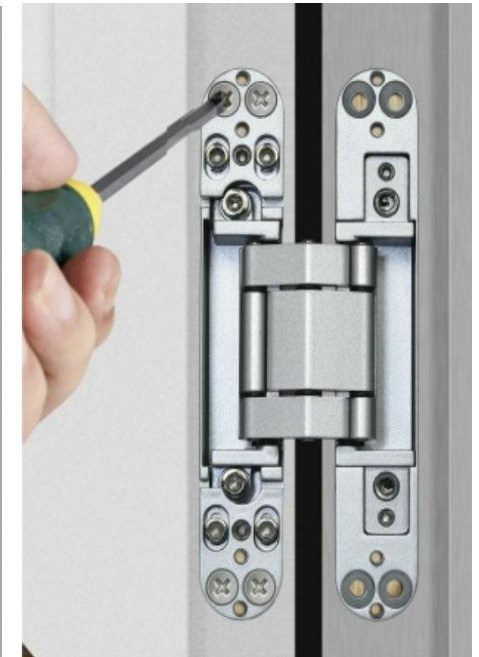
① Draw the installation position



② Use tools to drill holes



③ Fix the position of hinge on the door with screws



④ Install the door and door frame side with screws.

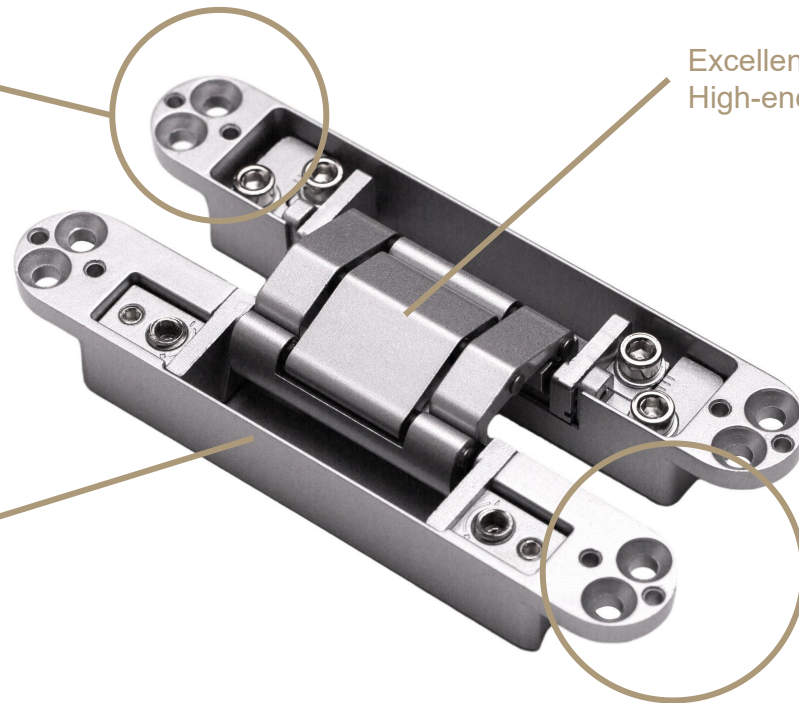
Excellent Quality Standard

CCH030

3d adjustable concealed hinge



Perfect size fit
Silent opening and closing



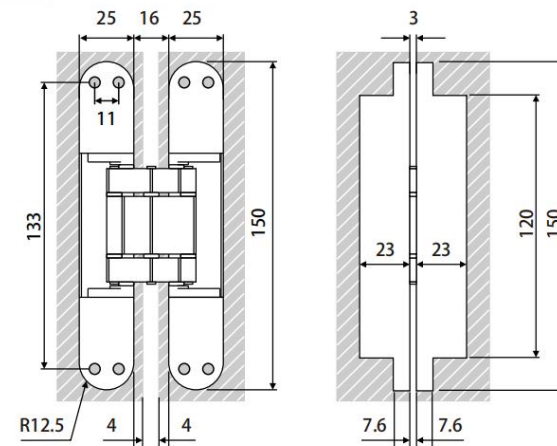
Excellent Aluminum material
High-end performance



Humanity design
Easy-installation

Excellent coating
100% antirust

CCH030-40

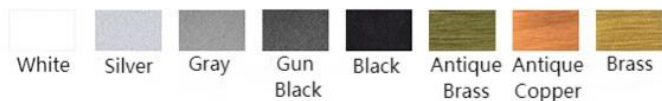


304 stainless steel covers ABS plastic covers

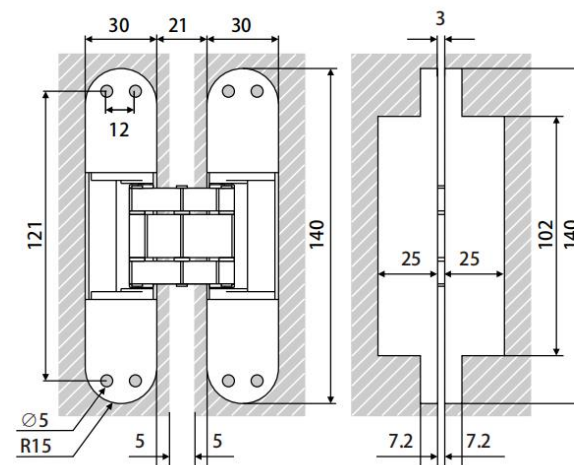
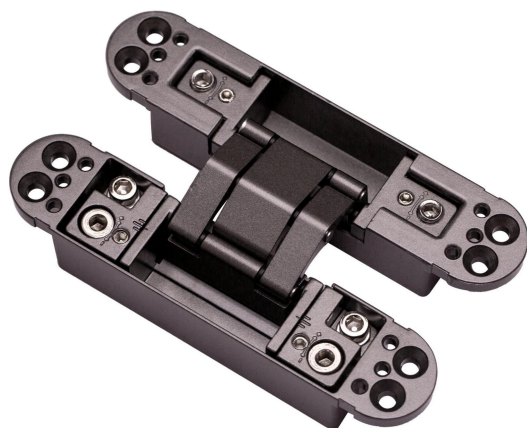
Product Diagram

Model	CCH030-40
Material	Zinc Alloy + Aluminium
Size	25*150mm
Loading capacity (2 pieces)	40kgs
Min Door thickness	35mm
Max Door width	900mm
Hinge Thickness	21.5mm
Max Opening Angle	180 Degree
Application	suitable for wooden doors, flush doors, security doors, invisible doors, etc

Finish Options



CCH030-60



304 stainless steel covers ABS plastic covers

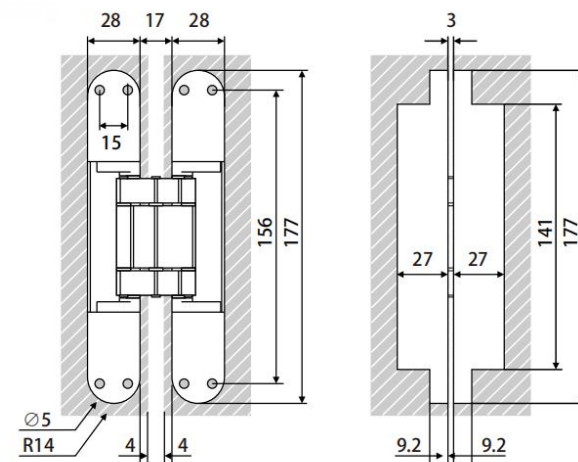
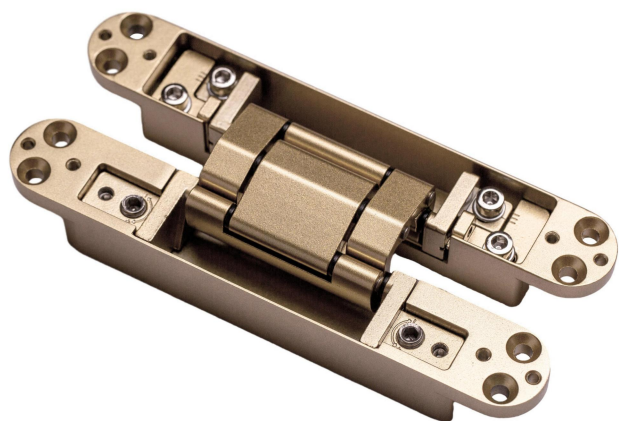
Product Diagram

Model	CCH030-60
Material	Zinc Alloy + Aluminium
Size	30*140mm
Loading capacity (2 pieces)	60kgs
Min Door thickness	40mm
Max Door width	1000mm
Hinge Thickness	23.5mm
Max Opening Angle	180 Degree
Application	suitable for wooden doors, flush doors, security doors, invisible doors, etc

Finish Options



CCH030-80



304 stainless steel covers ABS plastic covers

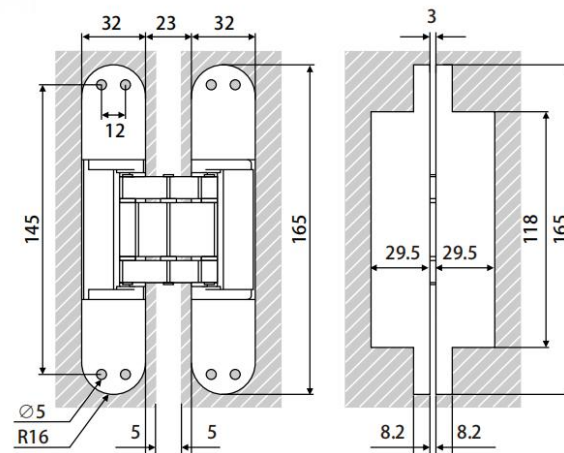
Product Diagram

Model	CCH030-80
Material	Zinc Alloy + Aluminium
Size	28*177mm
Loading capacity (2 pieces)	80kgs
Min Door thickness	40mm
Max Door width	1100mm
Hinge Thickness	24.5mm
Max Opening Angle	180 Degree
Application	suitable for wooden doors, flush doors, security doors, invisible doors, etc

Finish Options



CCH030-100



304 stainless steel covers ABS plastic covers

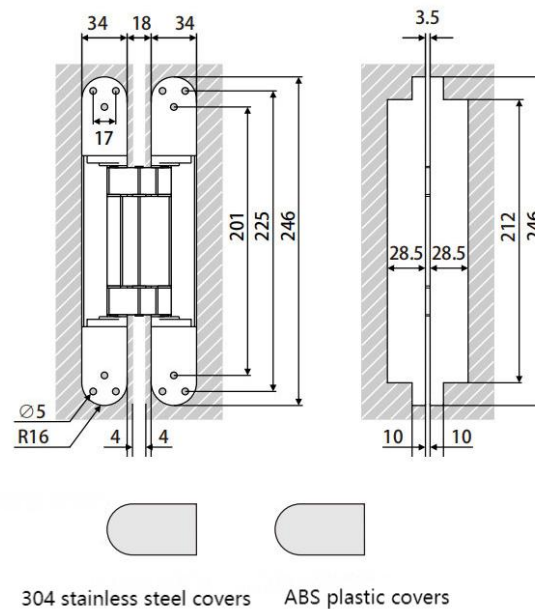
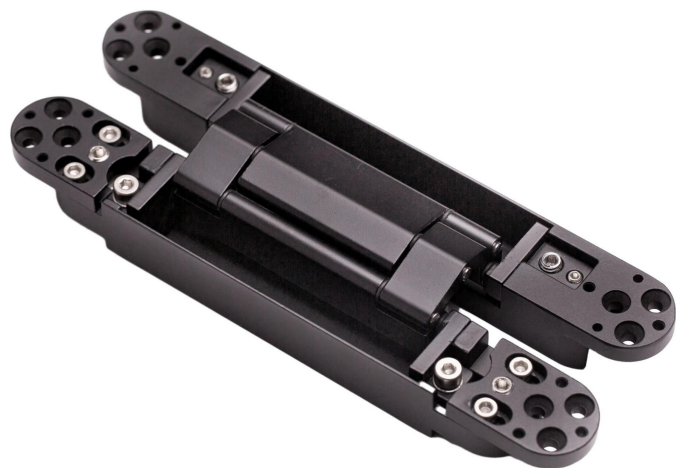
Product Diagram

Model	CCH030-100
Material	Zinc Alloy + Aluminium
Size	32*165mm
Loading capacity (2 pieces)	100kgs
Min Door thickness	45mm
Max Door width	1200mm
Hinge Thickness	27.5mm
Max Opening Angle	180 Degree
Application	suitable for wooden doors, flush doors, security doors, invisible doors, etc

Finish Options



CCH030-120



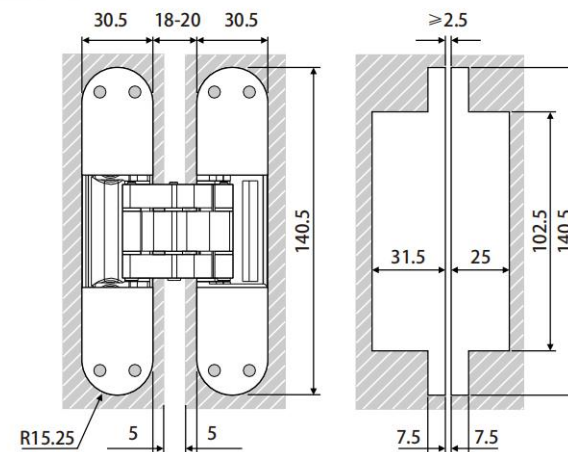
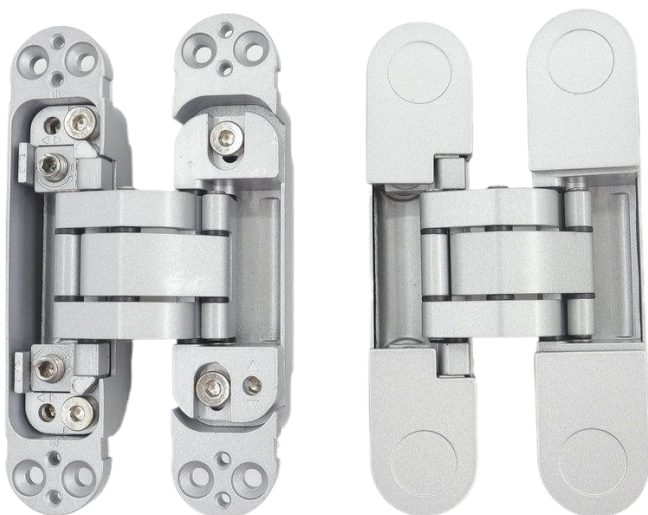
Product Diagram

Model	CCH030-120
Material	Zinc Alloy + Aluminium
Size	34*246mm
Loading capacity (2 pieces)	120kgs
Min Door thickness	45mm
Max Door width	1350mm
Hinge Thickness	26.5mm
Max Opening Angle	180 Degree
Application	suitable for wooden doors, flush doors, security doors, invisible doors, etc

Finish Options



CCH031-80



304 stainless steel covers ABS plastic covers

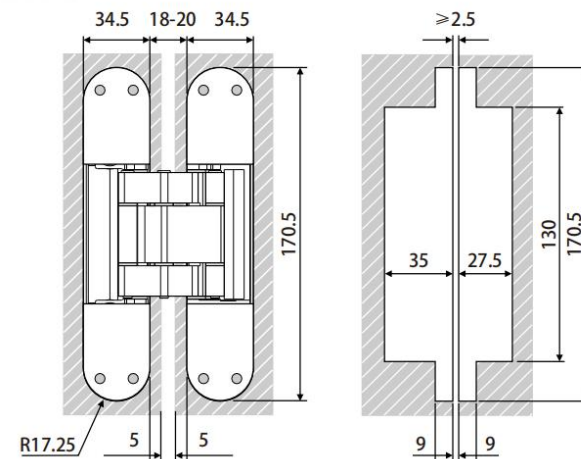
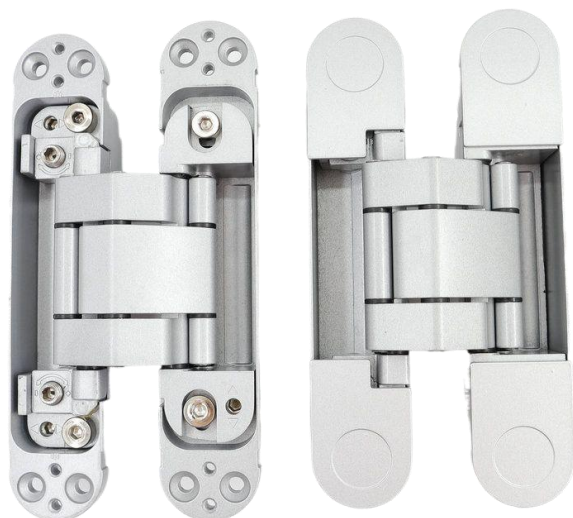
Product Diagram

Model	CCH031-80
Material	Zinc Alloy + Aluminium
Size	30.5*140.5mm
Loading capacity (2 pieces)	80kgs
Min Door thickness	40mm
Max Door width	1000mm
Hinge Thickness	23mm
Max Opening Angle	180 Degree
Application	suitable for wooden doors, flush doors, security doors, invisible doors, etc

Finish Options



CCH031-120



304 stainless steel covers ABS plastic covers

Product Diagram

Model	CCH031-120
Material	Zinc Alloy + Aluminium
Size	34.5*170.5mm
Loading capacity (2 pieces)	120kgs
Min Door thickness	45mm
Max Door width	1200mm
Hinge Thickness	25.5mm
Max Opening Angle	180 Degree
Application	suitable for wooden doors, flush doors, security doors, invisible doors, etc

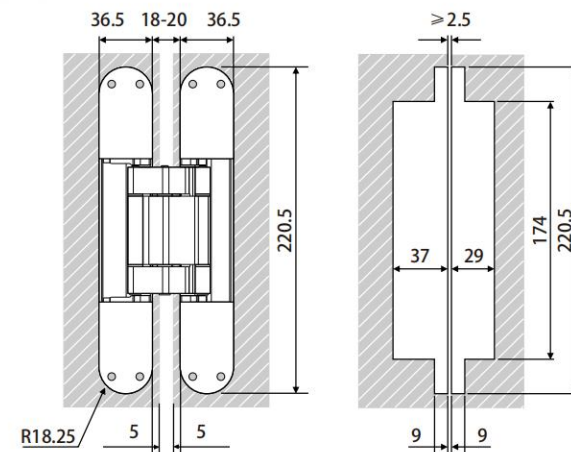
Finish Options



CCH031-150



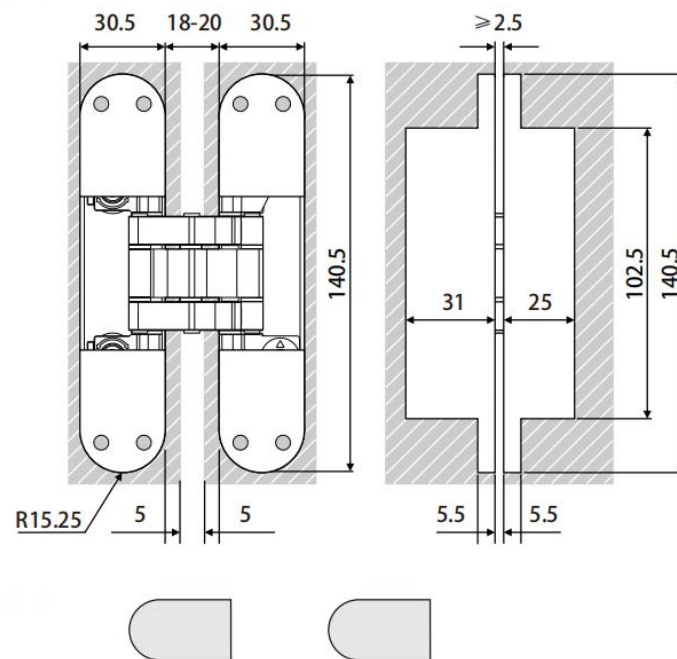
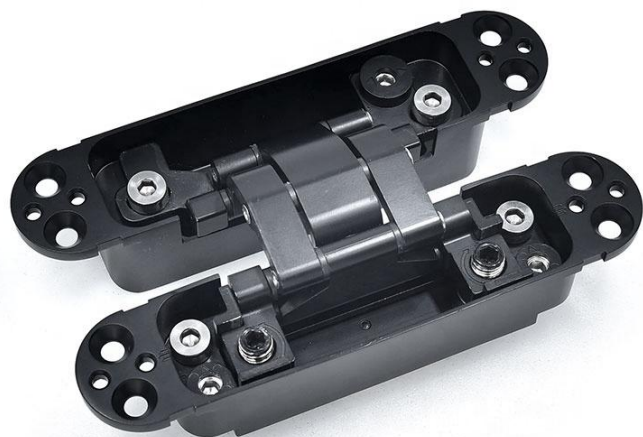
Finish Options



Product Diagram

Model	CCH031-150
Material	Zinc Alloy + Aluminium
Size	36.5*220.5mm
Loading capacity (2 pieces)	150kgs
Min Door thickness	45mm
Max Door width	1500mm
Hinge Thickness	27mm
Max Opening Angle	180 Degree
Application	suitable for wooden doors, flush doors, security doors, invisible doors, etc

CCH032-80



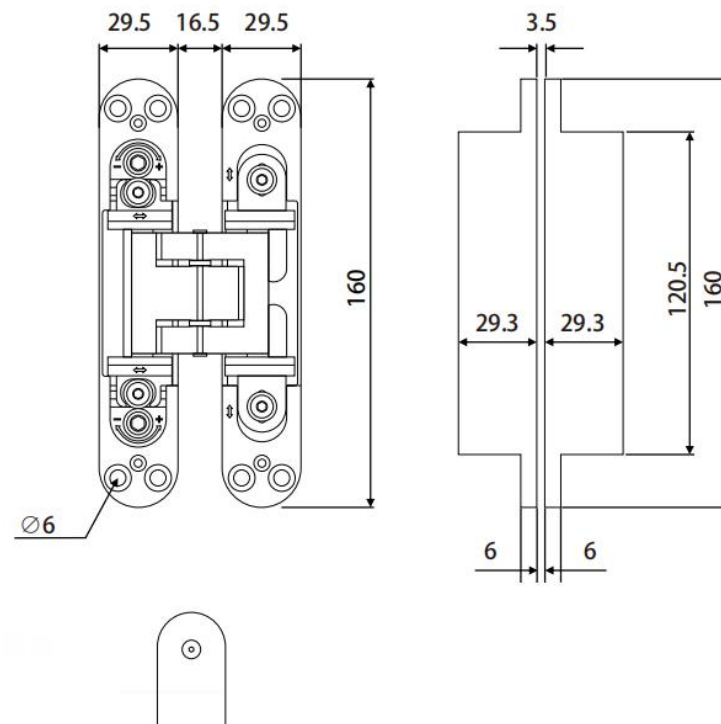
Product Diagram

Model	CCH032-80
Material	Stainless Steel
Size	30.5*140.5mm
Loading capacity (2 pieces)	80kgs
Min Door thickness	40mm
Max Door width	1200mm
Hinge Thickness	25mm
Max Opening Angle	180 Degree
Application	suitable for wooden doors, flush doors, security doors, invisible doors, etc

Finish Options



CCH032-100



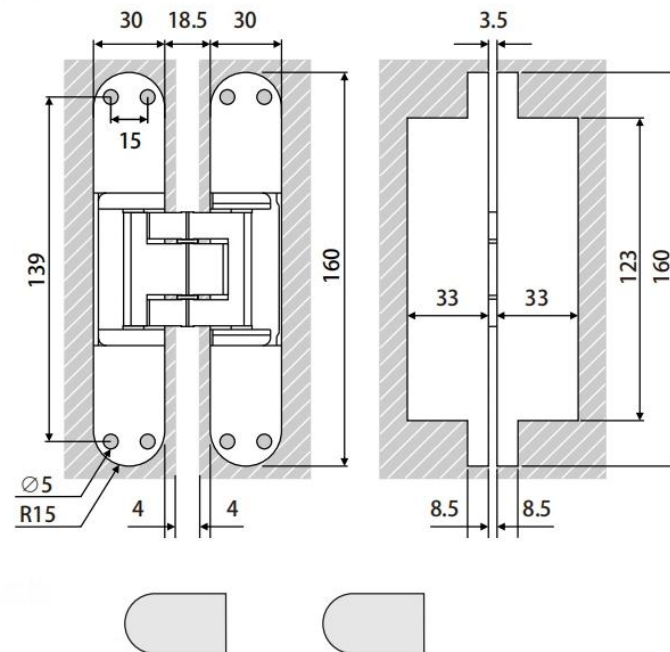
Product Diagram

Model	CCH032-100
Material	Stainless Steel
Size	29.5*160mm
Loading capacity (2 pieces)	100kgs
Min Door thickness	40mm
Max Door width	940mm
Hinge Thickness	29.3mm
Max Opening Angle	180 Degree
Application	suitable for wooden doors, flush doors, security doors, invisible doors, etc

Finish Options



CCH032-120



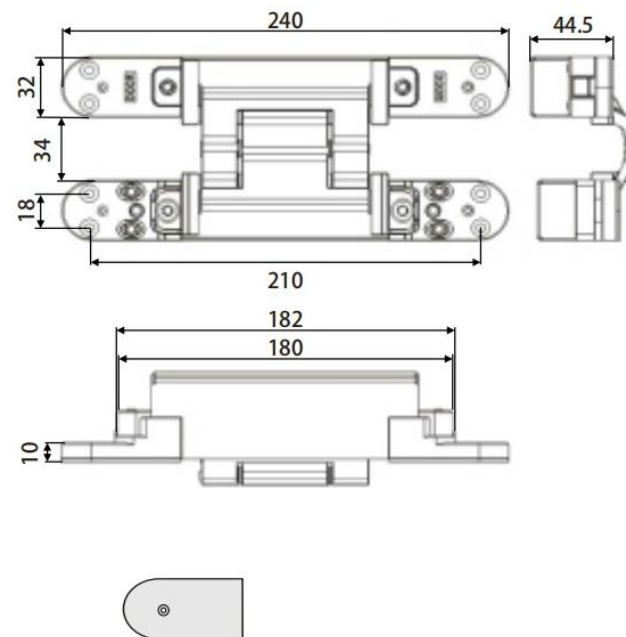
Product Diagram

Model	CCH032-120
Material	Stainless Steel
Size	30*160mm
Loading capacity (2 pieces)	120kgs
Min Door thickness	40mm
Max Door width	1050mm
Hinge Thickness	32mm
Max Opening Angle	180 Degree
Application	suitable for wooden doors, flush doors, security doors, invisible doors, etc

Finish Options



CCH032-200



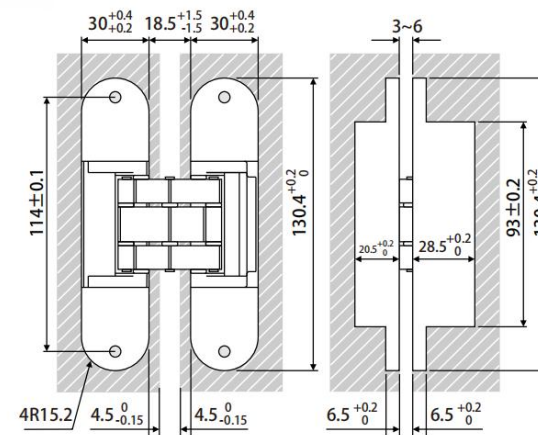
Product Diagram

Model	CCH032-200
Material	Stainless Steel
Size	32*240mm
Loading capacity (2 pieces)	200kgs
Min Door thickness	50mm
Max Door width	940mm
Hinge Thickness	44.5mm
Max Opening Angle	180 Degree
Application	suitable for wooden doors, flush doors, security doors, invisible doors, etc

Finish Options



CCH035-60



304 stainless steel covers ABS plastic covers

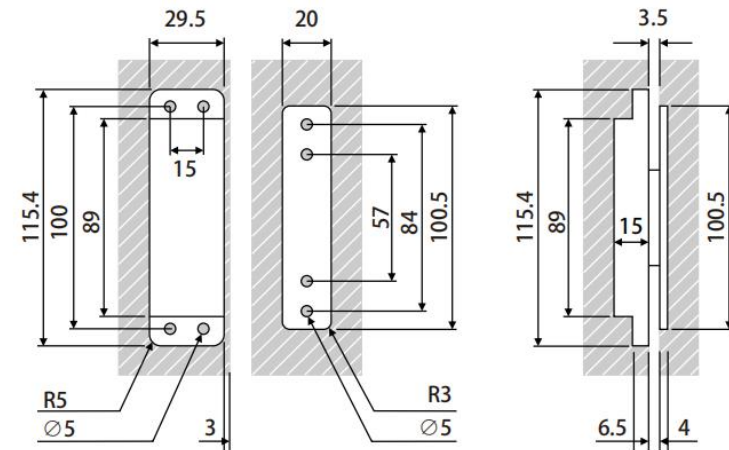
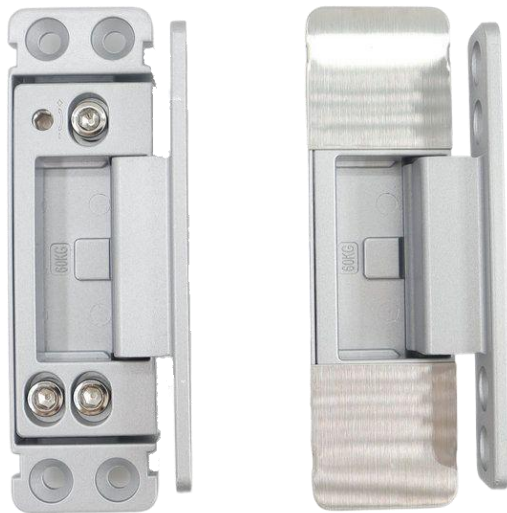
Finish Options



Product Diagram

Model	CCH035-60
Material	Zinc Alloy + Aluminium
Size	30*130.4mm
Loading capacity (2 pieces)	60kgs
Min Door thickness	40mm
Max Door width	1000mm
Hinge Thickness	19.5mm
Max Opening Angle	180 Degree
Application	suitable for wooden doors, flush doors, security doors, invisible doors, etc

CCH040-60



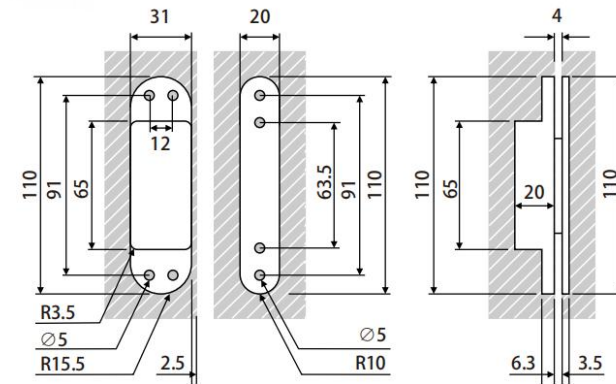
Product Diagram

Model	CCH040-60
Material	Zinc Alloy + Aluminium
Size	29.5*115.4mm
Loading capacity (2 pieces)	60kgs
Min Door thickness	35mm
Max Door width	1200mm
Hinge Thickness	15mm
Max Opening Angle	110 Degree
Application	suitable for aluminum alloy ecological doors, aluminum alloy glass doors, etc

Finish Options



CCH041-60



304 stainless steel covers



ABS plastic covers

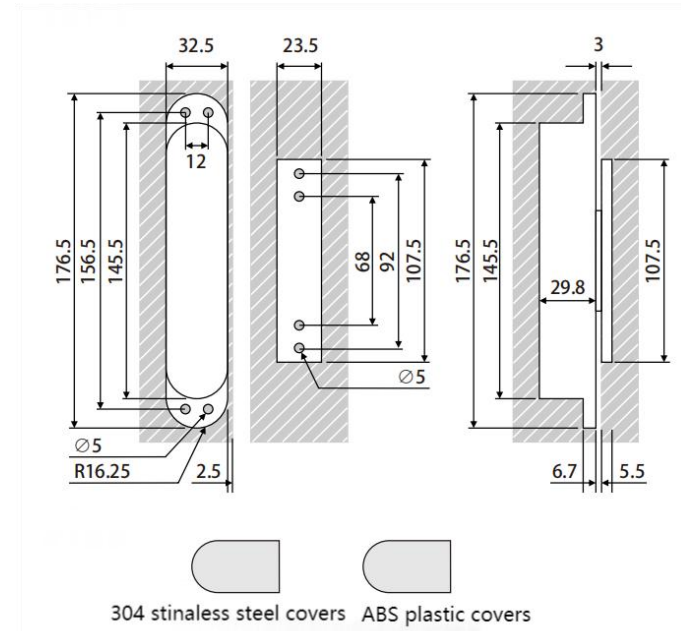
Product Diagram

Model	CCH041-60
Material	Zinc Alloy + Aluminium
Size	31*110mm
Loading capacity (2 pieces)	60kgs
Min Door thickness	40mm
Max Door width	1000mm
Hinge Thickness	18.5mm
Max Opening Angle	110 Degree
Application	suitable for aluminum alloy ecological doors, aluminum alloy glass doors, etc

Finish Options



CCH042-80



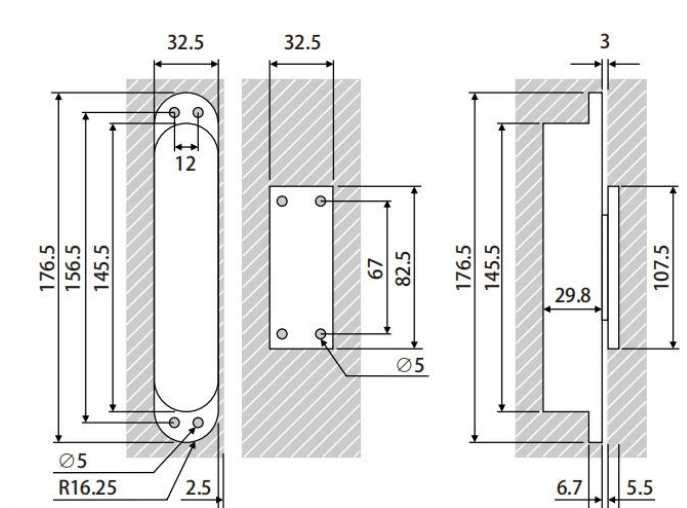
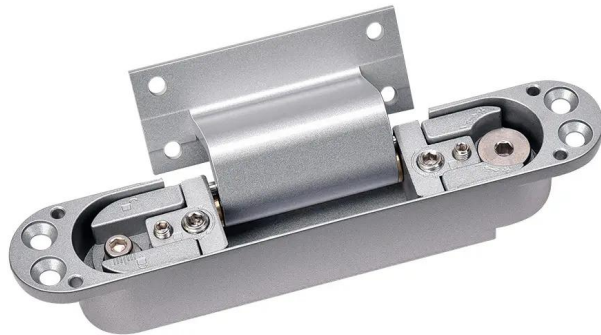
Product Diagram

Model	CCH042-80
Material	Zinc Alloy + Aluminium
Size	32.5*176.5mm
Loading capacity (2 pieces)	80kgs
Min Door thickness	40mm
Max Door width	1000mm
Hinge Thickness	28.5mm
Max Opening Angle	120 Degree
Application	suitable for wooden doors, security doors, aluminum alloy glass doors, etc

Finish Options



CCH043-80



304 stainless steel covers ABS plastic covers

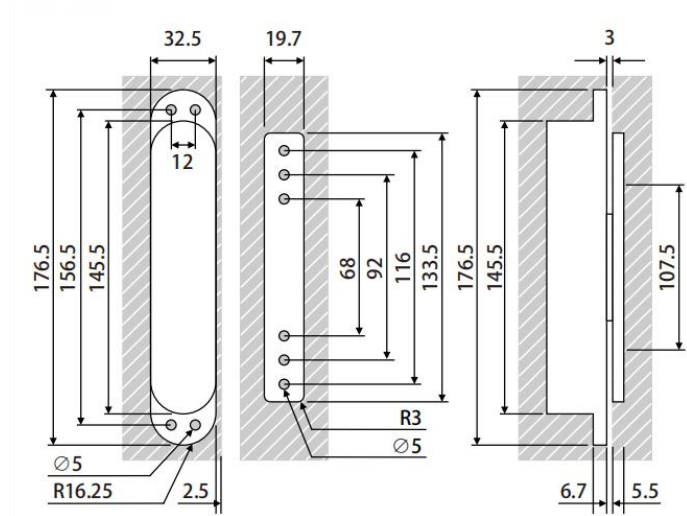
Product Diagram

Model	CCH043-80
Material	Zinc Alloy + Aluminium
Size	32.5*176.5mm
Loading capacity (2 pieces)	80kgs
Min Door thickness	40mm
Max Door width	1000mm
Hinge Thickness	28.5mm
Max Opening Angle	120 Degree
Application	suitable for wooden doors, security doors, aluminum alloy glass doors, etc

Finish Options



CCH044-80



304 stainless steel covers ABS plastic covers

Product Diagram

Model	CCH044-80
Material	Zinc Alloy + Aluminium
Size	32.5*176.5mm
Loading capacity (2 pieces)	80kgs
Min Door thickness	40mm
Max Door width	1000mm
Hinge Thickness	28.5mm
Max Opening Angle	120 Degree
Application	suitable for wooden doors, security doors, aluminum alloy glass doors, etc

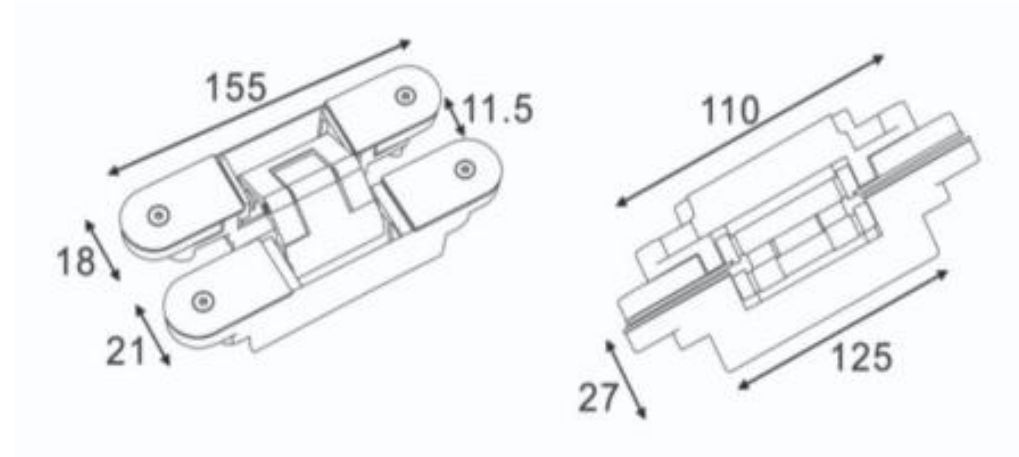
Finish Options



CCH045-45



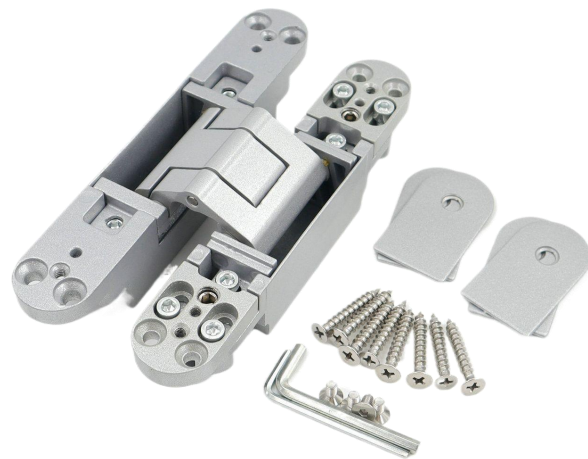
Finish Options



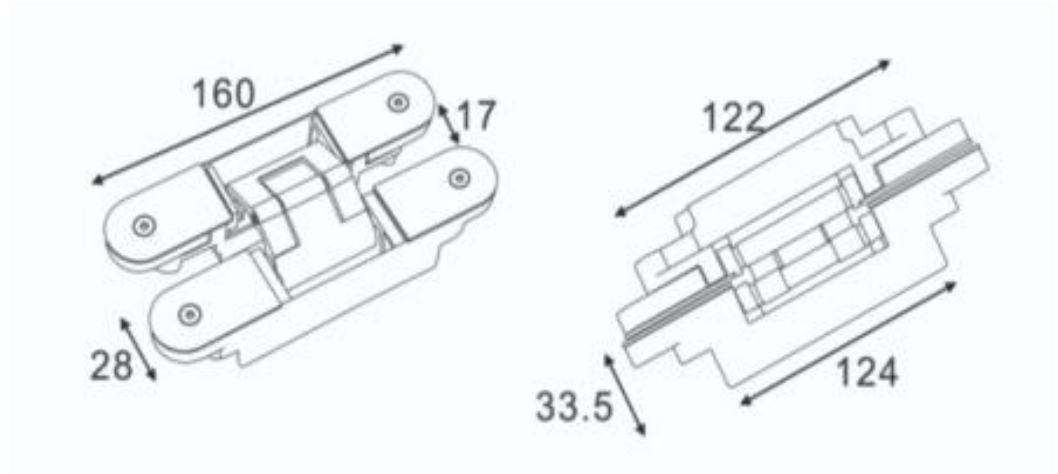
Product Diagram

Model	CCH045-45
Material	Zinc Alloy + Aluminium
Size	21*155mm
Loading capacity (2 pieces)	45kgs
Min Door thickness	28mm
Max Door width	800mm
Hinge Thickness	22.5mm
Max Opening Angle	120 Degree
Application	suitable for wooden doors, flush doors, security doors, invisible doors, etc

CCH045-80



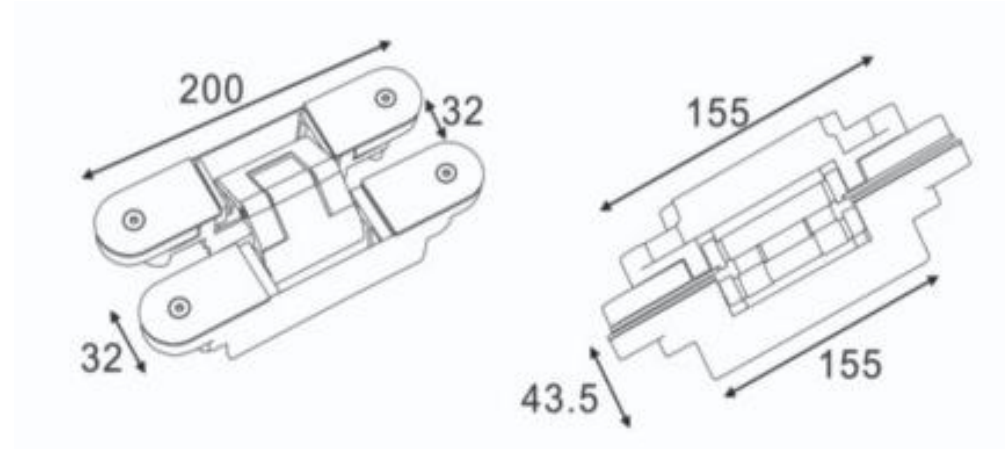
Finish Options



Product Diagram

Model	CCH045-80
Material	Zinc Alloy + Aluminium
Size	28*160mm
Loading capacity (2 pieces)	80kgs
Min Door thickness	35mm
Max Door width	900mm
Hinge Thickness	29.5 mm
Max Opening Angle	120 Degree
Application	suitable for wooden doors, flush doors, security doors, invisible doors, etc

CCH045-95



Product Diagram

Model	CCH045-95
Material	Zinc Alloy + Aluminium
Size	32*200mm
Loading capacity (2 pieces)	95kgs
Min Door thickness	40mm
Max Door width	1200mm
Hinge Thickness	39.5 mm
Max Opening Angle	120 Degree
Application	suitable for wooden doors, flush doors, security doors, invisible doors, etc

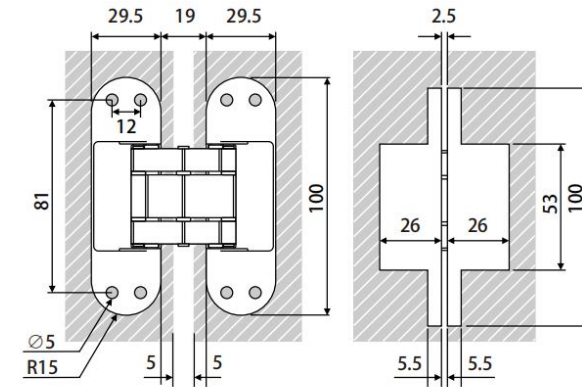
Finish Options



Silver

Black

CCH050-40



304 stainless steel covers ABS plastic covers

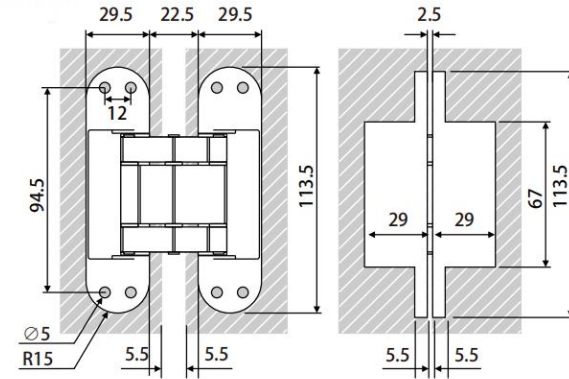
Product Diagram

Model	CCH050-40
Material	Zinc Alloy + Aluminium
Size	29.5*100mm
Loading capacity (2 pieces)	40kgs
Min Door thickness	40mm
Max Door width	950mm
Hinge Thickness	24mm
Max Opening Angle	120 Degree
Application	suitable for wooden doors, flush doors, security doors, invisible doors, etc

Finish Options



CCH050-80



304 stainless steel covers ABS plastic covers

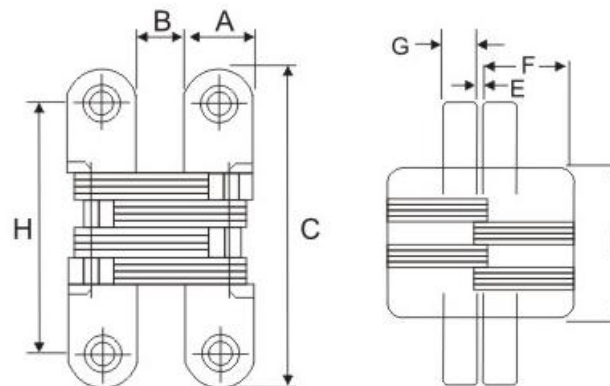
Product Diagram

Model	CCH050-80
Material	Zinc Alloy + Aluminium
Size	29.5*113.5mm
Loading capacity (2 pieces)	80kgs
Min Door thickness	40mm
Max Door width	1050mm
Hinge Thickness	27mm
Max Opening Angle	120 Degree
Application	suitable for wooden doors, flush doors, security doors, invisible doors, etc

Finish Options



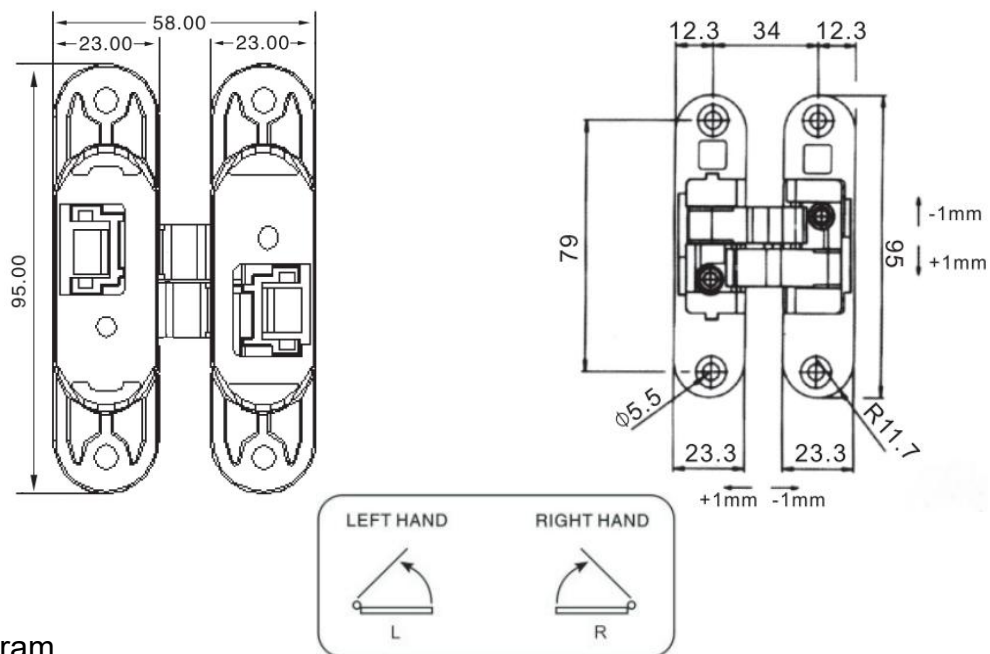
CCH003-CCH009



Product Diagram

Model	CCH003	CCH004	CCH005	CCH006	CCH007	CCH008	CCH009
Material	Zinc Alloy						
Size (A*C)	12.4*43.7mm	12.7*60.4mm	15.7*68.8mm	18.4*94mm	24.7*115.8mm	27.8*116mm	33.6*137.2mm
Loading capacity/pc	5kgs	10kgs	15kgs	25kgs	30kgs	40kgs	50kgs
Min Door thickness	20mm	20mm	25mm	30mm	35mm	40mm	50mm
Thickness and deviation of each connection	1.12±0.02	1.15±0.02	1.45±0.02	1.95±0.02	2.45±0.02	2.45±0.02	2.45±0.02
Net weight/pc	48.1g	82.5g	145.2g	285.7g	641.1g	770.0g	1325.4g
Max Opening Angle	180 Degree						
Finish	SCP、CP、SN、PB、AB、AC						
Application	suitable for wooden doors, flush doors, security doors, soundproof doors, screens, folding tables, etc						

CCH017-1



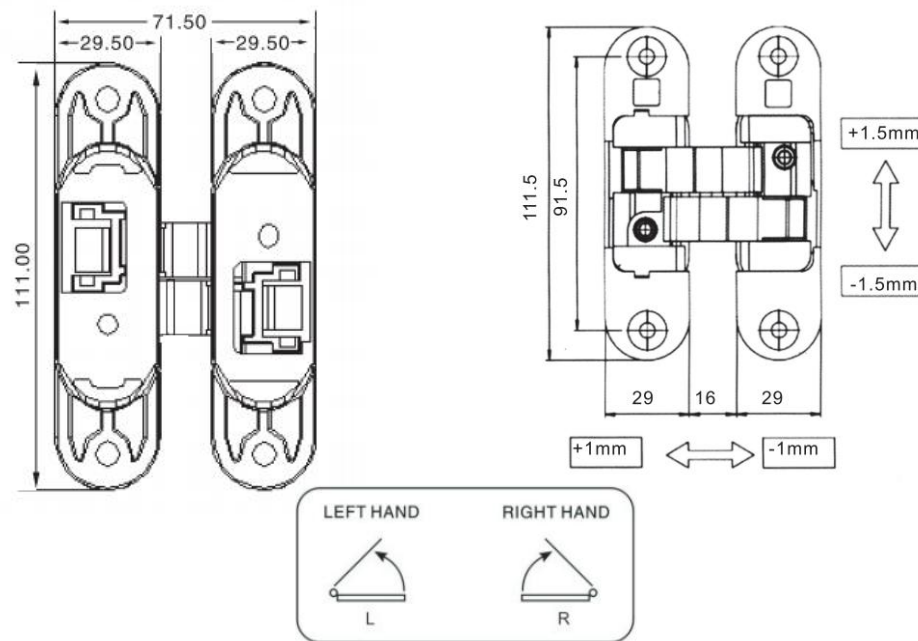
Product Diagram

Model	CCH017-1
Material	Zinc Alloy
Size	23*95mm
Loading capacity (3 pieces)	40kgs
Min Door thickness	35mm
Max Door width	1000mm
Max Opening Angle	180 Degree
Finish	Satin Nickel, Satin Chrome, Pearl Chrome, Pearl Nickel, Antique Brass, Antique Copper
Application	suitable for wooden doors, flush doors, security doors, invisible doors, etc

Finish Options



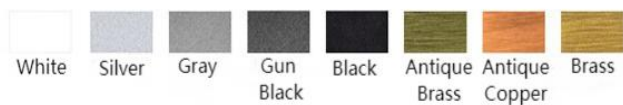
CCH017-2



Product Diagram

Model	CCH017-2
Material	Zinc Alloy
Size	29*111mm
Loading capacity (3 pieces)	60kgs
Min Door thickness	40mm
Max Door width	1000mm
Max Opening Angle	180 Degree
Finish	Satin Nickel, Satin Chrome, Pearl Chrome, Pearl Nickel, Antique Brass, Antique Copper
Application	suitable for wooden doors, flush doors, security doors, invisible doors, etc

Finish Options





THANK YOU